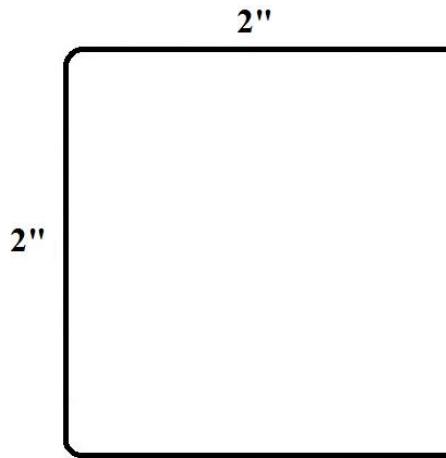
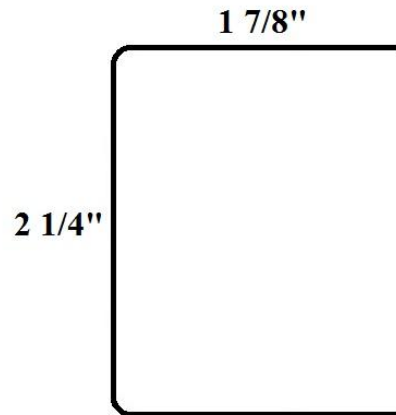


2" U Bracing



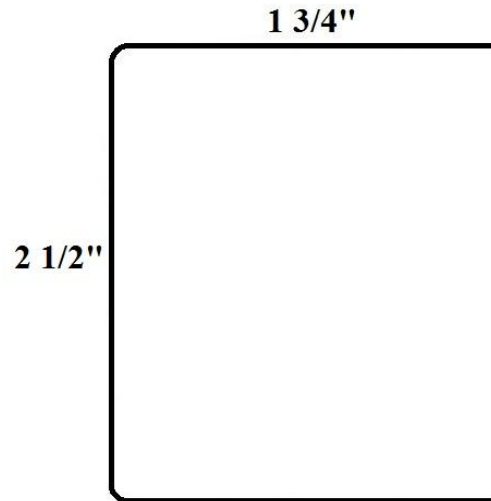
Dimensions	Length	Thickness	Finish
2" x 2" x 2"	12'	14 Gauge	Galvanized

2 1/4" U Bracing



Dimensions	Length	Thickness	Finish
1 7/8" x 2 1/4" x 1 7/8"	12'	14 Gauge	Galvanized

2 1/2" U Bracing



Dimensions	Length	Thickness	Finish
1 3/4" x 2 1/2" x 1 3/4"	12'	14 Gauge	Galvanized